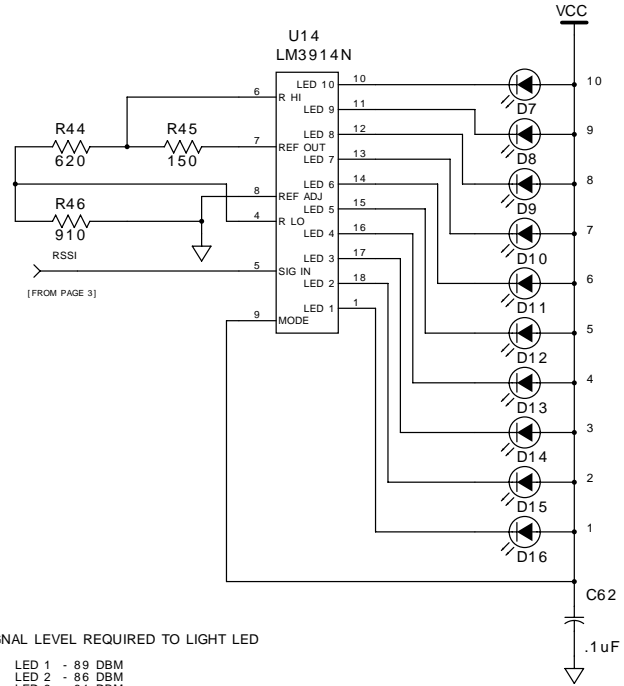


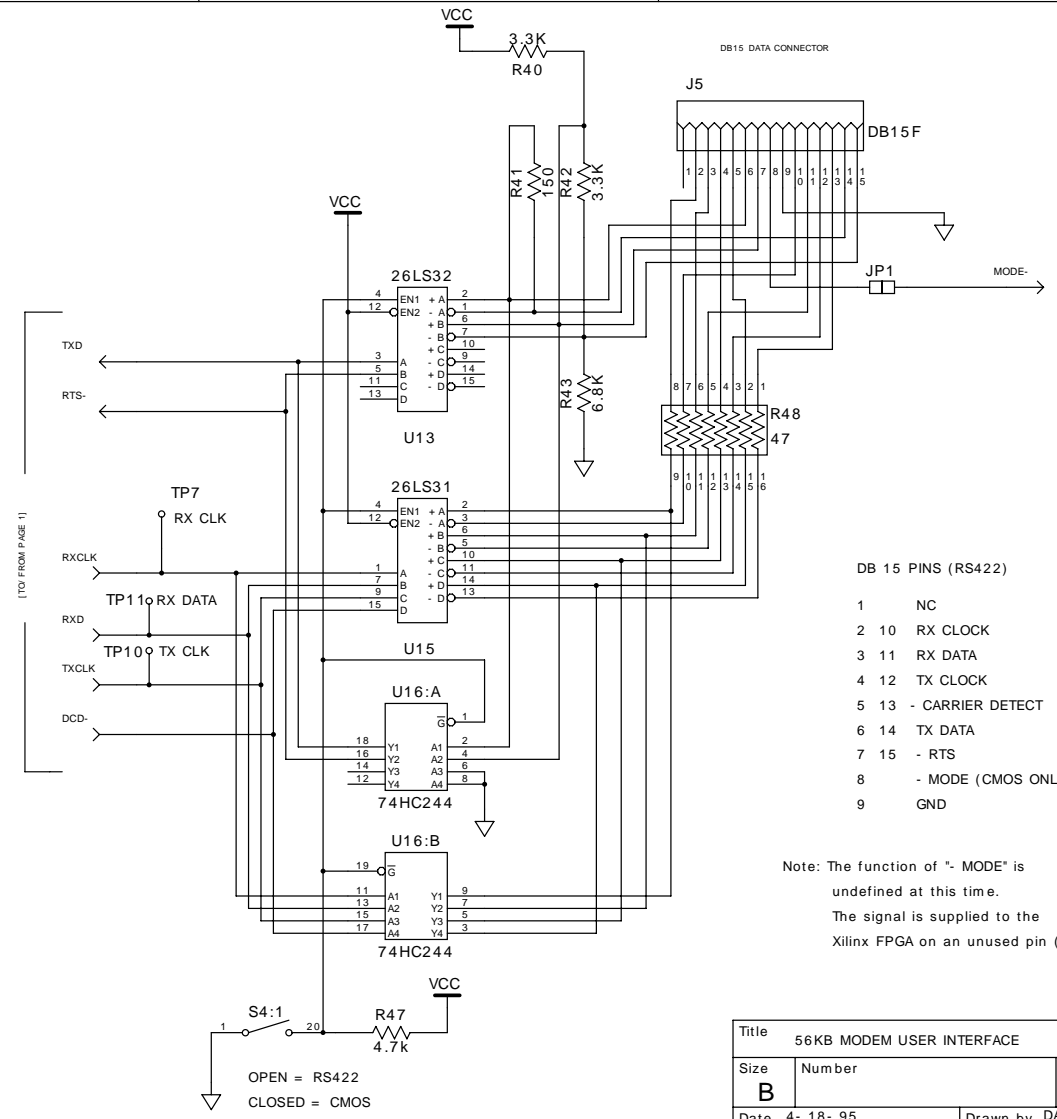
BAR GRAPH SIGNAL STRENGTH DISPLAY



SIGNAL LEVEL REQUIRED TO LIGHT LED

LED 1	- 89 DBM
LED 2	- 86 DBM
LED 3	- 81 DBM
LED 4	- 76 DBM
LED 5	- 72 DBM
LED 6	- 68 DBM
LED 7	- 64 DBM
LED 8	- 57 DBM
LED 9	- 52 DBM
LED 10	- 47 DBM

MEASURED AT MODEM IF INPUT



DB 15 PINS (RS422)

1	NC
2	10 RX CLOCK
3	11 RX DATA
4	12 TX CLOCK
5	13 - CARRIER DETECT
6	14 TX DATA
7	15 - RTS
8	- MODE (CMOS ONLY)
9	GND

Note: The function of "- MODE" is undefined at this time. The signal is supplied to the Xilinx FPGA on an unused pin (25).

Title 56KB MODEM USER INTERFACE		
Size B	Number	Rev C
Date 4- 18- 95	Drawn by DAH	
Filename 56KMODEM.S04	Sheet 4 of 4	

LAST REV. 9- 26- 95

COPYRIGHT (C) 1995 DALE A. HEATHERINGTON WA4DSY