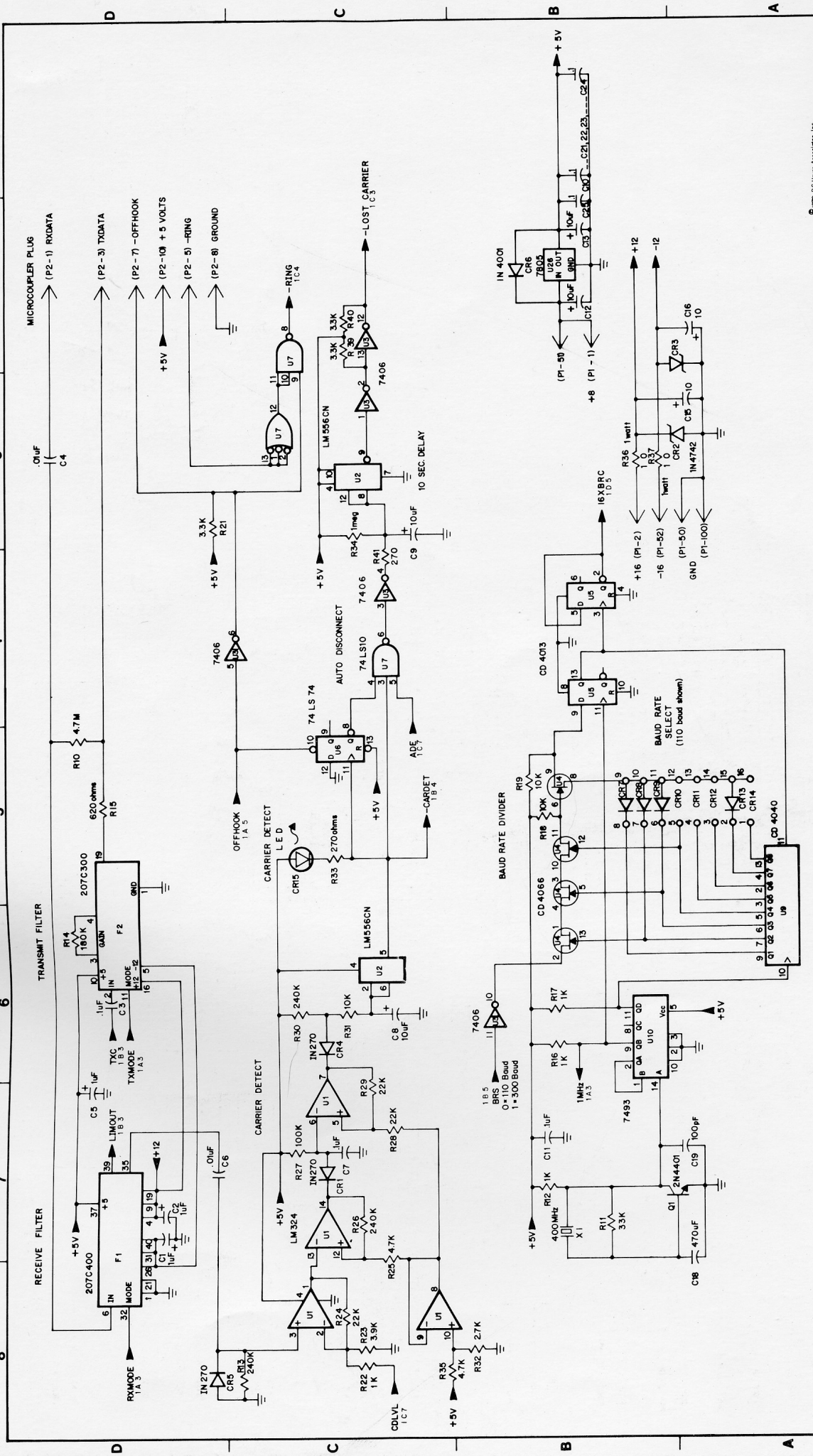


1 2 3 4 5 6 7 8



© 1979 D.C. Hayes Associates, Inc.  
**D.C. Hayes Associates, Inc.**  
 MICROCOMPUTER PRODUCTS  
**Micromodem 100™**  
 2 OF 2  
 93 003

DRWN S. HARRIS  
 CKD D.A. HEATHERINGTON  
 ENG D.A. HEATHERINGTON