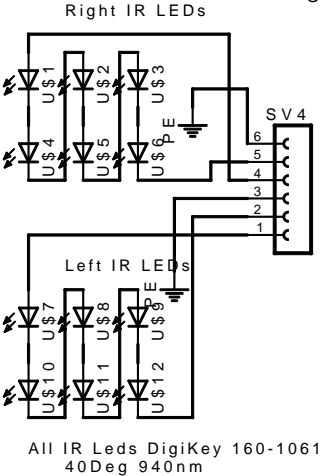
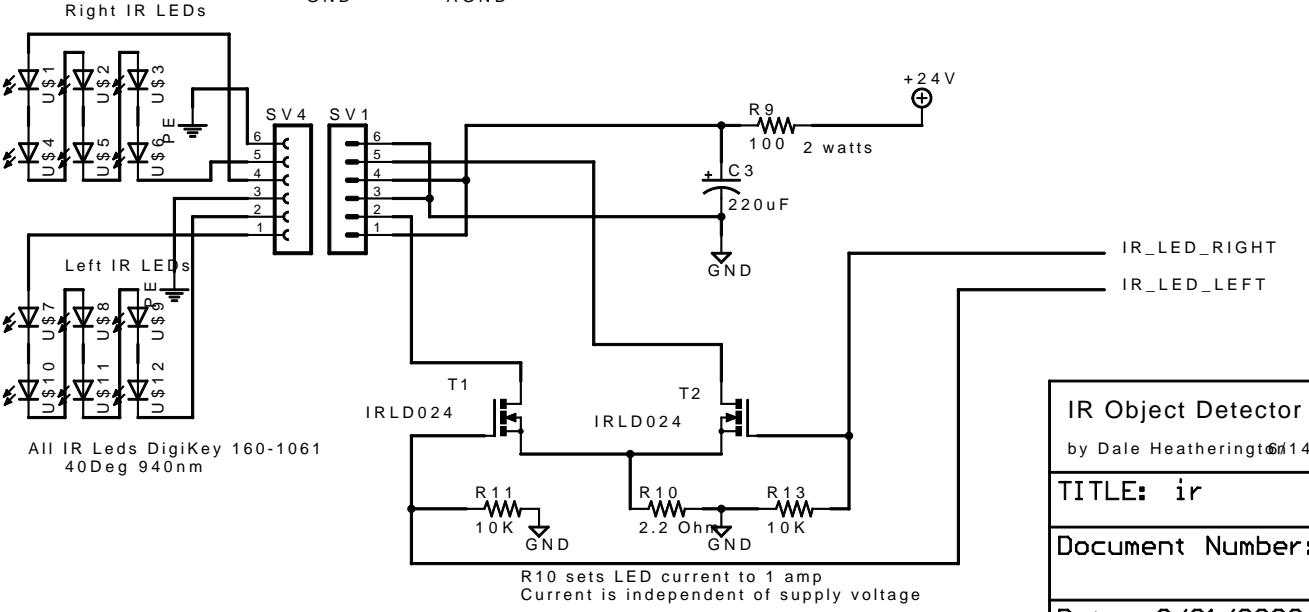
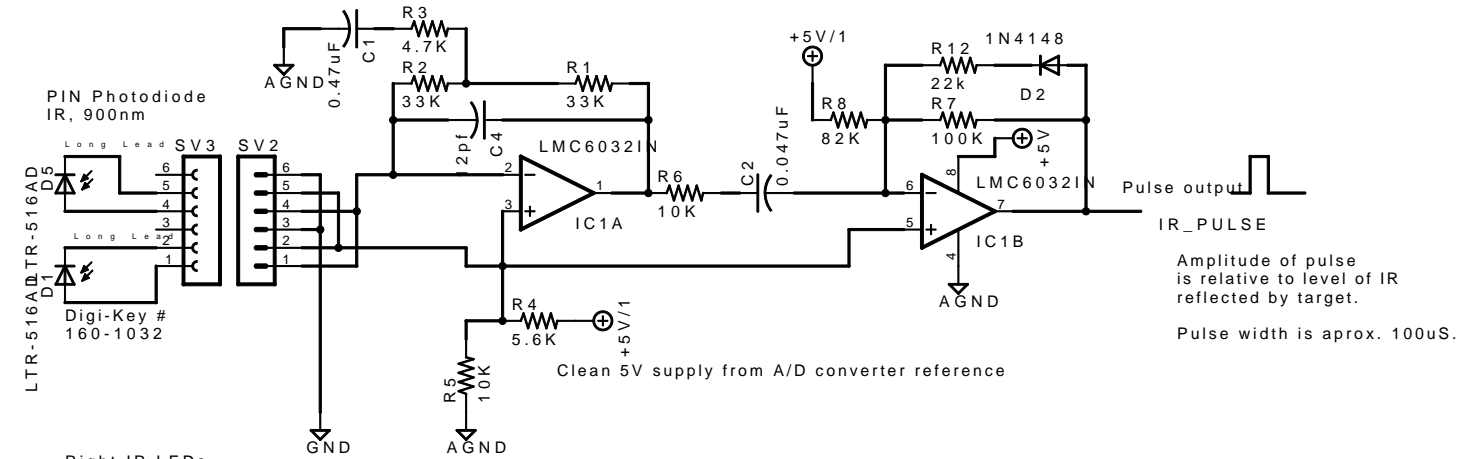


This work is licensed under the Creative Commons Attribution License.  
 To view a copy of this license, visit <http://creativecommons.org/licenses/by/1.0/>  
 or send a letter to Creative Commons, 559 Nathan Abbott Way, Stanford, California 94305, USA.

Pin Photo Diodes located in top and bottom flippers



IR Object Detector for Invertabot	
by Dale Heatheringt@14/2003 <a href="http://www.wa4dsy.net/robot/">http://www.wa4dsy.net/robot/</a>	
TITLE: ir	Page 3 of 4
Document Number:	REV: 1.1
Date: 9/21/2003 16:49:41	Sheet: 1/1